

# Operating Manual

## Series 1300-A, -B, -D Trace Nitrogen in Helium Analyzer

Series 1300-A..... 0 - 2 / 0 - 20 ppm Range, 115 V

Series 1302-A..... 0 - 2 / 0 - 20 ppm Range, 230 V

Series 1300-B..... 0 - 20 / 0 - 200 ppm Range, 115 V

Series 1302-B..... 0 - 20 / 0 - 200 ppm Range, 230 V

Series 1300-D..... 0 - 10 / 0 - 100 ppm Range, 115 V

Series 1302-D..... 0 - 10 / 0 - 100 ppm Range, 230 V

August 2020

Rev. 10

**READ INSTRUCTIONS  
BEFORE OPERATING**





---

## DISCLAIMERS

The information in this document is subject to change without notice. This manual could include technical inaccuracies or typographical errors. Changes are made periodically to the information herein; these changes will be incorporated in subsequent revisions of the manual. GOW-MAC® Instrument Co. reserves the right to make improvements and/or changes to the product(s) and/or programs described in this manual at any time and without notice.

All information referred to and/or included in this report is current as of the original issue date of this manual. GOW-MAC® Instrument Co. makes no warranty or representation with respect to the accuracy of the information or with respect to the suitability of the use of such information outside GOW-MAC® Instrument Co., nor does GOW-MAC® Instrument Co. assume responsibility for any injury or damage which may result, directly or indirectly, from the use of such information.

This document contains proprietary information which is protected by copyright. All rights are reserved. No part of the document may be photographed, reproduced, or translated into another language without the prior written consent of GOW-MAC® Instrument Co.

The warranties made by GOW-MAC® Instrument Co. with respect to the product are voided if the product is not used and serviced in accordance with the instructions in this manual.

Please protect yourself and your employees by following these operating instructions. We encourage our customers to write or call for any additional information relative to the use or repair of this instrument.

## TRADEMARK AND PATENT INFORMATION

®GOW-MAC is a registered trademark of GOW-MAC Instrument Co.  
in the United States and other countries. (Reg. U.S. Pat. & TM Office)

Other trademarks used herein are trademarks or registered trademarks of their respective owners.

---

# TERMS AND CONDITIONS OF SALE

**WARRANTIES** SERIES 1300 INSTRUMENTS SOLD BY GOW-MAC® INSTRUMENT CO. ARE WARRANTED FOR A PERIOD OF ONE YEAR AGAINST DEFECTS IN MATERIALS AND WORKMANSHIP. THE TERMS OF THIS WARRANTY ARE AS FOLLOWS:

1. The warranty period begins with the shipping date of the equipment to the original purchaser.
2. Certain parts such as batteries, fuses, etc., are expendable in normal use, and their service life is unpredictable. Such items are not covered by this warranty.
3. All requests for service or repair under this warranty must be received within the warranty period by GOW-MAC® or its authorized representative. All repairs are made at GOW-MAC plants or at the office of authorized representatives.
4. All repairs, adjustments, and other service under this warranty shall be performed free of charge to the purchaser. However, warranty service and repairs shall be limited to equipment malfunctions which, in the opinion of GOW-MAC®, are due or traceable to defects in original materials or workmanship. Instrument malfunctions caused by abuse or neglect of the equipment are expressly not covered by this warranty.
5. Instrument parts which have been repaired or replaced during the warranty period are themselves warranted only for the remaining unexpired portion of the original one year warranty.
6. Repairs, adjustments, and service performed after expiration of the one year warranty period shall be charged to the purchaser at the then current prices for parts, labor, and transportation.
7. This warranty attaches to the equipment itself and is not limited to the original purchaser. Unexpired portions of the warranty are thus transferable to subsequent owners.
8. GOW-MAC® expressly disclaims any liability to users of its products for consequential damages of any kind arising out of or connected with the use of its products.
9. Except as stated in Sections 1 through 8 above, GOW-MAC® makes no warranty, expressed or implied (either in fact or by operation of law), statutory or otherwise; and, except as stated in Sections 1 through 8 above, GOW-MAC® shall have no liability under any warranty, expressed or implied (either in fact or by operation of law), statutory or otherwise.
10. Statements made by any person, including representatives of GOW-MAC® which are inconsistent or in conflict with the terms of this warranty shall not be binding upon GOW-MAC® unless reduced to writing and approved by an officer of the Company.
11. This warranty shall be governed by the laws of the Commonwealth of Pennsylvania.

**LIABILITY** Buyer assumes all responsibility for warning and protecting its employees and independent contractors with respect to all hazards to persons and property in any way connected with the Equipment and the use thereof. Seller's liability for any claim of any kind hereunder, whether or not based on contract, tort (including negligence), strict liability, warranty, or any other grounds, shall not exceed the purchase price of the Equipment or the portion of the purchase price attributable to any part or parts of the Equipment in respect to which such claim is made. Seller shall not be liable for any special, indirect, incidental, or consequential damages. Without limiting the generality of the foregoing, Seller shall have no liability with respect to the results obtained by use of the Equipment, whether in terms of product condition, operating cost, general effectiveness, success or failure, or regardless of any statement made in any written proposal submitted by Seller. It is expressly understood that any technical advice furnished by Seller with reference to the Equipment is given gratis and Seller assumes no obligation or liability for the advice given or results obtained, all such advice being given and accepted at Buyer's risk. Each party hereby agrees to indemnify and hold the other party harmless from any actions, lawsuits, demands, claims, losses, expenses, costs, including but not limited to legal fees, and damages arising from the injury, illness or death of the indemnifying party's employees in any way related to the Equipment, whether or not such injury, illness, or death is claimed to have been caused by, resulted from, or was in any way connected with the negligence of the party to be indemnified.

**PROPRIETARY INFORMATION** Buyer agrees to maintain all proprietary information disclosed by Seller, including such proprietary information obtainable upon examination of the Equipment, in confidence and to refrain from any disclosure thereof to any third party (including any affiliate of Buyer), for any purpose, without the prior written consent of Seller. Buyer agrees to use said proprietary information solely for purposes of maintaining and operating the Equipment, and to refrain from any use thereof to design, construct, have constructed and/or operate any duplication or modification of the Equipment, or from any other use thereof, without the prior written consent of Seller.

---

## IMPORTANT INFORMATION

These instructions are written for personnel operating the GOW-MAC® Trace N<sub>2</sub> in Helium Analyzers, Series 1300-A, 1300-B, and 1300-D. Read and understand the safety precautions in this manual to become familiar with the safe practices for operating this equipment.

### Dangers, Warnings, Cautions, and Notes

Dangers, Warnings, Cautions, and Notes appear throughout this manual. A sample of each statement appears below. Within each sample, a definition of the statement type and its purpose is given.



**DANGERS** alert you to an immediate hazard that causes serious injury or death and requires special precautions to be taken.



**WARNINGS** alert you to a potential hazard that causes serious injury or death *under certain conditions*.



**CAUTIONS** alert you to a non-immediate or potential hazard or an unsafe practice that presents a minor threat of personal injury or damage to equipment, data, or processes.



**NOTES** emphasize or remind you of an important piece of information.



---

# Table of Contents

1	SAFETY .....	9
1.1	Emergency Procedures .....	10
1.2	Basic Safety Requirements .....	10
1.3	Precautionary Labels .....	11
1.4	Summary of Known Hazards .....	11
1.4.1	Electrocution .....	11
1.4.2	Pressure .....	12
1.4.3	Purging .....	12
1.5	Safe Repair Procedures .....	13
1.6	General Precautions for Handling and Storing High Pressure Gas Cylinders .....	13
2	PRINCIPLE OF OPERATION .....	15
2.1	General .....	15
2.2	Specifications .....	15
2.3	Principle of Operation .....	17
2.3.1	Overrange Protection .....	17
2.4	Description of Components .....	18
2.4.1	Front Panel Components .....	18
2.4.2	Rear Panel Components .....	19
3	INSTALLATION .....	21
3.1	Unpacking and Inspection .....	21
3.2	Location .....	21
3.3	Mounting .....	22
3.4	Electrical Connections .....	22
3.5	Sample Manifold System .....	23
3.6	Gas Line Connections .....	24
3.7	Purging .....	25
3.7.1	Purge Method .....	25
3.8	Installation Checklist .....	26
4	OPERATION .....	27
4.1	Powering the Analyzer .....	28
4.2	Zero and Span Calibration .....	28
4.2.1	Before Calibration .....	29
4.2.2	Recommended Calibration Gases .....	29
4.2.3	Calibration Steps .....	29
4.3	Reading and Recording Data .....	31
4.4	Overrange Protection Circuit .....	31
4.4.1	Functional Testing of the Overrange Protection Circuit .....	31

---

5	MAINTENANCE AND REPAIR .....	33
5.1	Routine Maintenance Schedule .....	33
5.2	Troubleshooting .....	34
5.3	Parts Replacement and Testing Guide .....	38
5.3.1	Voltage Selection and Fuse Changing .....	38
5.3.2	Low Flow Switch .....	39
5.3.3	High Voltage Plate Adjustment.....	40
5.4	Service .....	40
6	Series 1300-B Trace Nitrogen in He Analyzer (4-20 mA Scaling) .....	41
	Appendix A — Sample Equipment Calibration Log Form .....	43



---

# 1 SAFETY



---

***This chapter contains information to promote safety in the operation and maintenance of this equipment. It is not intended to supersede, replicate, or replace any safety documentation or procedures provided from or established by official safety sources.***

---



---

**Do NOT operate the GOW-MAC® Series 1300-A, -B, or -D Trace Gas Analyzers (referred to in this manual as the Series 1300) until you read and understand the operating, maintenance, and safety instructions included in this manual.**

---

All persons involved with the operation of this equipment including plant engineering, operations, and management-must understand the potential hazards involved, and know and observe all required safety precautions.

Your safety and the safety of equipment, nearby facilities, and personnel require a proper safety attitude and emphasis on safe work procedures. This is the essence of any good safety program. If at any time you identify safety deficiencies, immediately correct them and bring them to the attention of management.

Before an accident can be prevented, it must be anticipated. Use pre-job discussions with your coworkers and supervisors to identify hazards and the means to avoid them. At your facility, various gases may exist in liquid and/or gaseous states. Familiarize yourself with the hazards associated with each gas found at your facility.



---

***Read and understand the Material Safety Data Sheets (MSDS) for the materials used with this equipment. All personnel who work in the vicinity of this equipment should read, understand, and follow all safety information contained in the MSDSs, in addition to following all government and facility safety regulations.***

---



---

**Never introduce gases other than helium into the analyzer. If explosive, flammable, or corrosive gases or gas mixtures are allowed to flow into the analyzer, fire or explosion can result. This analyzer is not designed to be used in hazardous areas.**

---

---

## 1.1 Emergency Procedures

The Series 1300 is designed to operate safely, efficiently, and reliably. However, as with any analytical equipment involving gases, an emergency can occur at any time. The emergency response could involve calling for medical assistance, management notification, fire assistance, or evacuation from the vicinity of the analyzer. **Obtain the following phone numbers and post them at the site telephone locations.** Periodically review the numbers and update them as required.

EMERGENCY PHONE NUMBERS	
Ambulance	(    ) _____
Fire Department	(    ) _____
Sheriff or Police Department	(    ) _____
On-Site Operations Representative	(    ) _____

Training and education are the most important parts of any safety program. For every possible emergency, establish an Emergency Response Plan and maintain it for immediate use.

## 1.2 Basic Safety Requirements

The following safety guidelines apply at all times when working with the Series 1300:

- **Prevent electrical shock** — Unplug and remove the AC power cord from the rear panel before opening and working on the analyzer. Use tools designed for work on electrical equipment.
- **Prevent injury** — Always wear safety glasses and appropriate safety protection. Ensure that all tools and instruments used during installation and maintenance are in good condition. Be aware that high-velocity gas may be released at vents and safety relief valves.
- **Follow posted precautions** — Read all precautionary labels attached to the equipment. Be sure to read all cylinder labels and warnings. Comply with all precautions before handling the equipment.

Situations may develop for which no written procedures exist. Think carefully before acting. Know the function of each valve and switch, and its effect on the equipment. Carefully review all operating procedures before starting up this equipment to ensure knowledge and understanding.

---

### 1.3 Precautionary Labels



---

**To avoid serious injury, read all precautionary labels attached to equipment, cylinders, containers, and boxes prior to startup.**

---

Labels attached in appropriate areas of the analyzer warn you of inherent hazards associated with the system. For personal safety, read the labels and perform directed precautions **before** handling the equipment.

### 1.4 Summary of Known Hazards

This equipment is designed to minimize your exposure to the process gases and other known hazards. Read and thoroughly understand all safety aspects of this system and its operation before operating or maintaining the equipment.

#### 1.4.1 Electrocutation



---

**Do NOT operate the analyzer without the cover secured in place. The output of the high-voltage transformer and the analytical cell electrodes can approach voltages of 6,000 VAC. To guard against electrical shock and possible electrocution, the analyzer should be serviced ONLY by a GOW-MAC service technician.**

---

Adherence to the following guidelines helps guard against electrical shock:

- For safety and proper performance, this analyzer must be connected to a properly grounded three-wire source of electrical power.
- Tampering or unauthorized substitution of components may adversely affect the safety of this instrument. Use only factory-approved components for repair.
- Before checking or replacing any chassis component, turn off the power and remove the AC power cord from the rear panel.

---

## 1.4.2 Pressure



---

**Mishandling of gas cylinders could result in death, serious injury, or property damage. Handle and store gas cylinders with extreme care and in accordance with manufacturer's instructions.**

---

Sudden or uncontrolled release of pressurized gas can cause serious injury. The hazards of high pressure can be avoided through careful inspection and handling of cylinders and equipment with proper regulation. Read and understand the MSDSs for the process gases used before operating this analyzer. For more detailed information on the precautions and safe practices to follow when handling cylinders, obtain and read CGA pamphlet P-1, *Safe Handling of Compressed Gases in Cylinders*.

## 1.4.3 Purging



---

**Equipment damage may result if the analytical cell in this unit is exposed to excessive pressure, causing it to break or shatter. To prevent this, never exceed 10 psig on the analytical cell.**

**Do not remove the flow control orifice from the sample inlet of the analyzer.**

**Do not exceed 10 psig at the sample inlet. Do not block the vent.**

---

A flow control orifice at the analyzer sample/zero inlet regulates flow and pressure to the analytical cell. With the orifice in place, a maximum inlet pressure of 10 psig is allowable.

Follow applicable safety precautions to ensure that an oxygen-deficient atmosphere is not created in the work area. Use low parts per million (ppm) nitrogen in helium gas with proper regulation to avoid contaminating the sampling system.

---

## 1.5 Safe Repair Procedures

Any repair work **MUST** be performed by a GOW-MAC service technician.

Analyzer manifold purging must be performed by experienced personnel.

Ventilate working area to prevent any leaking supply gas from accumulating.

Vent all gases to the outside.

Vent all pressure relief valves out of enclosed areas. Piping must be properly sized to allow safety devices to operate according to specifications.

De-pressurize supply gas piping before working on it.

## 1.6 General Precautions for Handling and Storing High Pressure Gas Cylinders

Compressed gases have properties that can cause serious accidents, injuries, and even death if proper precautions and safety practices are not followed. Therefore, during handling and use of these gases, be certain to use applicable safety precautions described by your local compressed gas supplier, the Compressed Gas Association, and/or O.S.H.A. regulations.

1. Read the label on all cylinders **BEFORE** using to identify the cylinder contents. If the label is illegible, return the cylinder to the supplier. **DO NOT ASSUME THE CONTENTS.**
2. Secure cylinders in storage and in use to an immovable structure to prevent accidental falling or movement. Read the relevant safety codes.
3. Store or move cylinders **ONLY** in the vertical position. **DO NOT** move or transport cylinders with regulators attached.
4. Store cylinders in a well ventilated area away from heat or ignition sources.
5. When installing tubing, provide **ONLY** approved, adequate pressure reducing regulators and pressure relief devices to prevent over-pressurizing of tubing and equipment.
6. Never drop cylinders or permit them to strike each other violently.
7. Cylinders may be stored in the open but, in such cases, should be protected against extremes of weather and from damp ground (to prevent rusting). In areas where extreme temperatures are prevalent, store cylinders in the shade.
8. The valve protection cap should be left on each cylinder until cylinder has been secured against a wall or bench, or placed in a cylinder stand and is ready for use.
9. Avoid dragging, rolling or sliding cylinders even for a short distance. Move cylinders by using a suitable hand truck.

- 
10. Never tamper with safety devices in valves or cylinders.
  11. Do not store full and empty cylinders together. Serious suck-back can occur when an empty cylinder is attached to a pressurized system.
  12. No part of a cylinder should be subjected to a temperature higher than 52 °C (125 °F).  
Do not permit flame to come in contact with any part of a compressed gas cylinder.

# PRINCIPLE OF OPERATION

## 2.1 General

The GOW-MAC® Series 1300 Trace Gas Analyzer (referred to in this manual as the Series 1300) measures trace amounts of nitrogen in helium. Three separate Series 1300 models cover different analytical ranges:

Series 1300-A (115 V)	0 - 2 / 0 - 20 ppm
Series 1302-A (230 V)	0 - 2 / 0 - 20 ppm
Series 1300-B (115 V)	0 - 20 / 0 - 200 ppm
Series 1302-B (230 V)	0 - 20 / 0 - 200 ppm
Series 1300-D (115 V)	0 - 10 / 0 - 100 ppm
Series 1302-D (230 V)	0 - 10 / 0 - 100 ppm

Various applications include:

- Process Control
- New Line Certification
- Welding Gas Management
- Gas Management/Monitoring Systems
- Quality Control for Truck Fills & Gas Cylinders
- Cryogenic truck loading stations
- Specialty Gas Laboratories
- Semiconductor Manufacturing

## 2.2 Specifications

<b>Measurement Ranges for Impurities in Helium</b>	0-2 ppm N <sub>2</sub> in helium 0-10 ppm N <sub>2</sub> in helium 0-20 ppm N <sub>2</sub> in helium 0-100 ppm N <sub>2</sub> in helium 0-200 ppm N <sub>2</sub> in helium
<b>Sample Flow Required</b>	2.0 scfh (refer to Table 2-1)
<b>Ambient Temperature Limits</b>	60-95 °F (16-35 °C)
<b>Maximum Pressures</b>	10 psig at sample inlet 10 psig on analytical cell
<b>Nominal Sample Inlet Pressure</b>	8 - 10 psig
<b>Power Required</b>	~100 W, 120 or 230 VAC, 50/60 Hz
<b>Output</b>	4-20 mA or DC voltage Dry Contacts for Range Selection Indication Dry Contacts for Over Range Indication
<b>Sample Connections</b>	1/4" VCR® sample inlet; 1/4" Swagelok® vent

---

**Sensitivity**                       $\pm 0.01$  ppm N<sub>2</sub> in helium (Series 1300-A / 1302-A)  
 $\pm 0.10$  ppm N<sub>2</sub> in helium (Series 1300-B / 1302-B)  
 $\pm 0.10$  ppm N<sub>2</sub> in helium (Series 1300-D / 1302-D)

**Accuracy**                       $\pm 0.02$  ppm N<sub>2</sub> in helium on 0 - 2 ppm range  
 $\pm 0.25$  ppm N<sub>2</sub> in helium on 0 - 20 ppm range  
 $\pm 0.25$  ppm N<sub>2</sub> in helium on 0-10 ppm range  
 $\pm 2.50$  ppm N<sub>2</sub> in helium on 0 - 200 ppm range  
 $\pm 2.50$  ppm N<sub>2</sub> in helium on 0-100 ppm range

**Dimensions**                      5.25" H x 16.625" W x 14.625 D  
(13.34 cm H x 42.23 cm W x 37.15 cm D)

**Weight**                              25 lbs (11.3 kg)

**Recommended  
Calibration Gases  
for Helium Models**

<i>For 0-2 ppm range:</i>	zero gas:	UHP Helium (99.999%) w/ GOW-MAC Model 75-800-2 Noble Gas Purifier
	span gas:	1.60 - 2 ppm N <sub>2</sub> in Helium
<i>For 0-10 ppm range:</i>	zero gas:	UHP Helium (99.999%) w/ GOW-MAC Model 75-800-2 Noble Gas Purifier
	span gas:	8 - 10 ppm N <sub>2</sub> in Helium
<i>For 0-20 ppm range:</i>	zero gas:	0 - 2 ppm N <sub>2</sub> in Helium w/ GOW-MAC Model 75-800-2 Noble Gas Purifier
	span gas:	16 - 20 ppm N <sub>2</sub> in Helium
<i>For 0-100 ppm range:</i>	zero gas:	UHP Helium (99.999%) w/ GOW-MAC Model 75-800-2 Noble Gas Purifier
	span gas:	80 - 100 ppm N <sub>2</sub> in Helium
<i>For 0-200 ppm range:</i>	zero gas:	0 - 2 ppm N <sub>2</sub> in Helium w/ GOW-MAC Model 75-800-2 Noble Gas Purifier
	span gas:	160 - 200 ppm N <sub>2</sub> in Helium



## 2.3 Principle of Operation

Refer to Figure 2-1. A sample stream of refined helium passes at a constant flowrate through a glass analytical cell to which metal electrodes are attached. The electrodes are connected across a high-voltage transformer that provides a silent electrical discharge to ionize the gas in the cell, causing it to glow. The high-voltage transformer takes the signal from a 255 Hz power supply and steps it up to the high-voltage ionization level at 255 Hz. The gas ionizes on both halves of the voltage cycle producing an output frequency of 510 Hz. If nitrogen is present, it adds to the spectrum of light generated. This light is optically filtered so that only a single emission line in the nitrogen spectrum is visible. The resultant light is detected by a photomultiplier. Its light intensity is proportional to the nitrogen content in the helium gas stream.

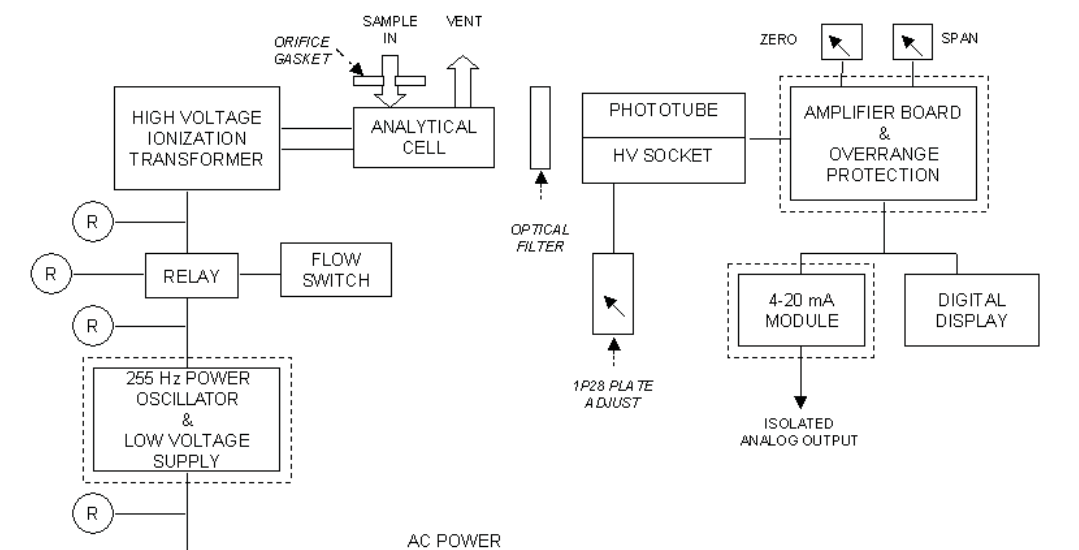


Figure 2-1: Block Diagram for Series 1300

A Hamamatsu high-voltage socket is used for the photomultiplier tube (PMT). It contains the resistor ladder for the intermediate dynodes in the PMT and a 1.22 VDC reference voltage generator. The socket works with a potentiometer, labeled “1P28 Plate Adjust” on the back of the analyzer, to provide proper plate voltage to the PMT.

The signal from the photomultiplier tube is processed in the amplifier board. The amplifier compensates for the selected measurement range, filters out line frequency interference, demodulates the signal, and converts it to a 0-100 mV output to drive the digital panel meter and the analog output module.

### 2.3.1 Overrange Protection

If nitrogen content approaches 1000 ppm, the overall content of light from the plasma discharge decreases considerably. At about 2 percent nitrogen, the ionization is completely extinguished. This effect causes the PMT output to decrease, resulting in a signal that looks like no nitrogen is present in the helium sample, when in fact the content is greater than 1000 ppm.

The Overrange Protection Circuit in the Series 1300 is a photodiode that detects the ionization glow and generates a warning when the intensity of the emission signal is low. It is set to trip the warning alarm when the nitrogen concentration reaches the 1000 ppm level. The overrange alarm on the front panel illuminates when this alarm is generated. No sound is generated.

## 2.4 Description of Components

### 2.4.1 Front Panel Components

Operating controls are located on the front panel of the Series 1300, as shown in Figure 2-2.

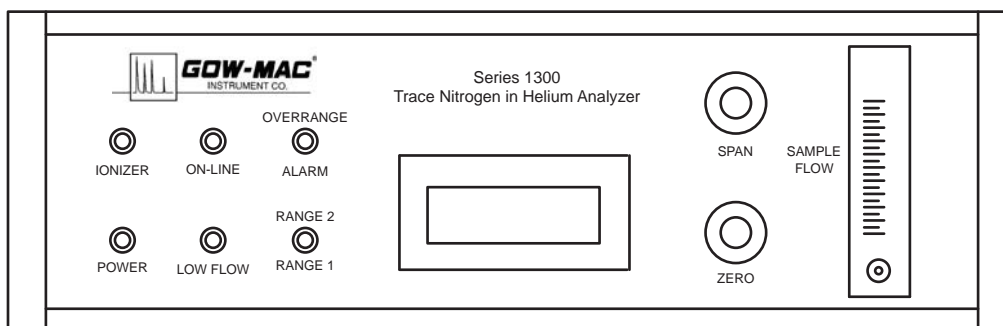


Figure 2-2 Series 1300 Front Panel Components

**Ionizer Light** — Illuminates when the 255 Hz power supply is operational and its output is being supplied to the switching relay.

**Power Light** — Illuminates when main power switch is on and the fuse is good. Switch and fuse are both located in the power entry module on the back of the analyzer.

**On-Line Light** — Illuminates when ionizing voltage is applied to the analytical cell. The analyzer requires a sample flow of at least 2.0 scfh (refer to Table 2-1) for the analytical cell to come on line.

**Low Flow Light** — Illuminates when flow to the analyzer is less than 2.0 scfh (refer to Table 2-1). The ON-LINE light will be off indicating that no ionizing voltage is being applied to the analytical cell.

**Overrange Alarm Light** — Illuminates when discharge brightness deteriorates due to an unusually high level of impurity in the sample gas. The DPM indicates a low level impurity analysis in this mode.

**Range Switch** — Used to select the measurement range maximum ppm.

**Digital Panel Meter (DPM)** — Displays the nitrogen content of the sample stream in ppm. *Note:* When there is no sample flow or there is a loss of ionization voltage, or when the impurities are out of range (i.e., > 2 ppm in the 2 range, > 20 ppm in the 20 range, > 10 ppm in the 100 range, > 100 ppm in the 100 range, and > 200 ppm in the 200 range), the DPM presents “E’s” across the display.

**Zero Potentiometer** — Used for calibration with zero gas.

**Span Potentiometer** — Used for calibration with span gas.

**Sample Flow Rotameter** — Monitors flow rate of gas through the analytical cell. It is not a direct reading rotameter. Refer to Table 2-1 to determine indicated flows that correspond to actual helium flows.

**Table 2-1. Rotameter Correction**

Indicated Helium Flow on 0.1 - 1 scfh Air Scale	Actual Helium Flow (scfh)	Operating Condition
< 0.12	< 0.4	Low Flow Alarm
0.15	0.5	Low Flow Purge
0.50	1.5	High Flow Purge
0.65	2.0	Analysis

## 2.4.2 Rear Panel Components

Connections and other controls are located on the rear panel of the analyzer, as shown in Figure 2-3.

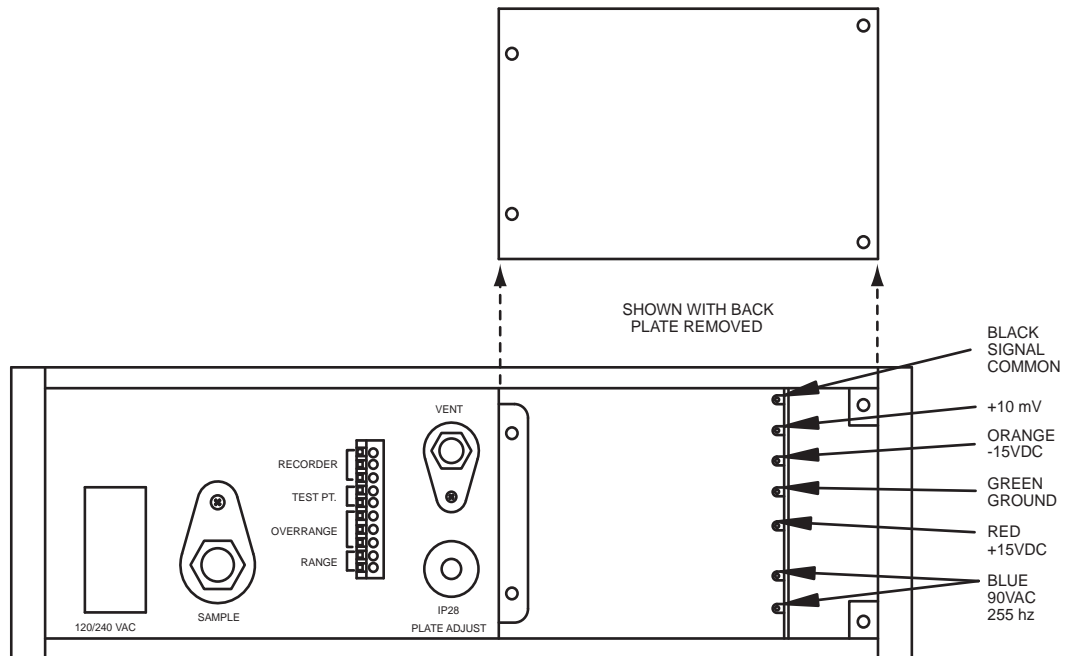


Figure 2-3 Series 1300 Rear Panel Components

---

**Power Entry Module** — Main power on/off function, connector for input power cable, and fuse holder for the analyzer. Protects analyzer from input power surges and power supply from short.

**Sample Input Port** — 1/4-in (0.64 cm) VCR fitting marked INPUT. Used to connect the sample inlet line to the analyzer.

**Sample Vent Port** — 1/4-in (0.64 cm) Swagelok® compression fitting marked VENT. Used to connect the sample outlet line to the vent system.

**1P28 Plate Adjustment** — 10-turn, 10 K variable plate voltage adjustment for the high voltage applied to the plates of the PMT by the high-voltage DC power supply.

**Identification Plate** — Shows model #, serial #, range, etc.

**Test Points** — Test jacks used to test the voltage outputs of the amplifier board, the low-voltage power supply, and the 255 Hz power supply.

\* Note: A fuse must be used for any circuit attached to the overrange alarm or range indication contacts.

**Green Terminal Block** — Standard barrier terminal connection for a recorder or external meter to the analyzer.

**Recorder Contacts** — 4 - 20 mA Output

**Test Point Contacts** — mVDC output signal connector for a DC multimeter, used during calibration.

**Overrange Alarm Contacts\*** — Normally open and normally closed dry contacts for indication of impurities at levels too high for analyzer's range of detection. Rated for 0.5 A at 30 VAC.

**Range Indication Contacts\*** — These contacts are closed when the lower range is selected on the front panel of the analyzer and open for the high range. Rated for 2 A at 30 VAC.

# INSTALLATION



---

**Installation of the Series 1300 can involve potentially hazardous procedures. Only trained and qualified personnel who have read and who understand the instructions in this manual shall install the Series 1300.**

---

## 3.1 Unpacking and Inspection

Carefully remove the analyzer from the shipping container and visually inspect it for damage. Maintain it in an upright position and avoid jarring. Ensure the power cord and calibration data sheets are included and that all components ordered have been either supplied or back-ordered.

If any items are missing or the analyzer appears damaged, immediately notify GOW-MAC® at (610) 954-9000. Remove and discard caps from fittings; inspect the analyzer for loose fittings or connections

Fill out and return the yellow WARRANTY-REGISTRATION card (included in this manual) to ensure that the WARRANTY will be validated and that you will be kept informed of any improvements or other items of interest.

## 3.2 Location

Locate the Series 1300 in a clean area free of:

- Excessive dust
- Mechanical vibrations
- Strong electric or electromagnetic fields
- Corrosive gases
- Moisture exceeding 90% relative humidity
- The use of walkie-talkies or cellular phones

Choose a location where sudden temperature changes in excess of 5 °F (5 °C) do not occur and where the temperature does not exceed the specified ambient temperature range. Avoid any location where the instrument would be exposed to direct sunlight or radiation from heaters.



---

**This analyzer is designed for use in a general purpose area and is NOT rated for use in hazardous areas.**

---

### 3.3 Mounting

Space and materials required:

- 5-1/4-inches (13.3 cm) of 19-inch rack space, as shown in Figure 3-1
- Service access space behind and in front of the analyzer.
- Metal bracket to support the rear side of the cabinet if the analyzer is installed in a cabinet without side support brackets.
- Eight mounting screws suited to the rack.

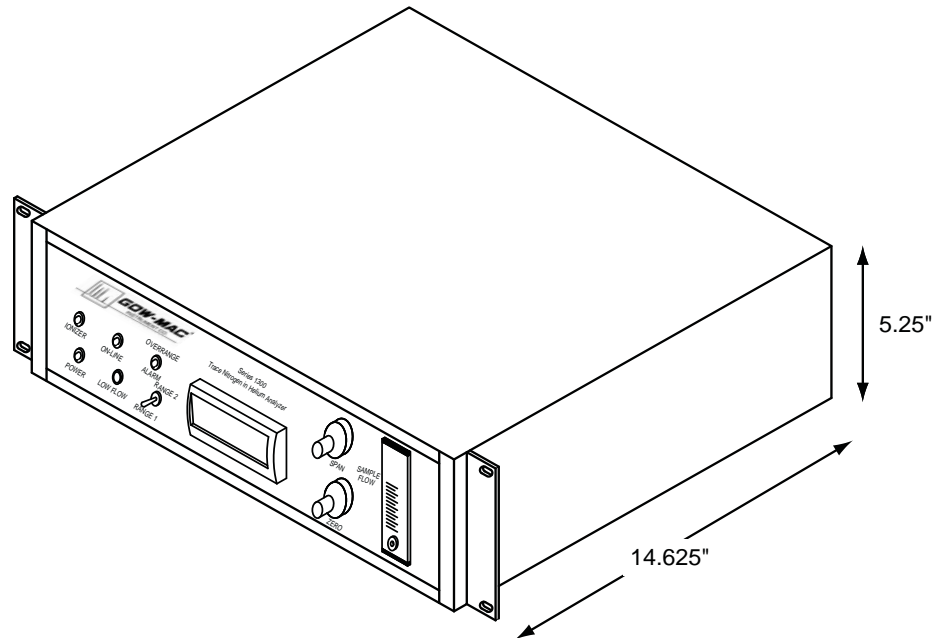


Figure 3-1: Series 1300 Analyzer Dimensional Drawing

### 3.4 Electrical Connections

Materials required:

- Power Cord
- Fuse(s) for Power Entry Module, if it is not configured for the power supply available. If necessary, refer to Chapter 5 for voltage selection and fuse changing instructions.



**Ozone emissions can occur if air or moisture are ionized in the sampling system. The sample path must be relatively free of air and/or moisture before applying the ionizing voltage.**

**Keep the Series 1300 power OFF until the analyzer is fully purged.**

1. Ensure the Power Entry Module is set for the proper line voltage and contains the correct fuses. (See section 5.3.1.)
2. Ensure that the Power Switch located on the rear of the analyzer is in the OFF position
3. Connect the AC power cord to the proper line voltage. This voltage must be stable, transient free, and have a stable frequency for optimum operation. Also, the unit must be properly grounded.
4. Connect the analog recorder output terminals to a recorder, if desired. The recorder output terminals are located on the terminal strip on the back of the analyzer.

### 3.5 Sample Manifold System



NOTE

***Leakage of air into the sampling system causes erratic or unsatisfactory analyzer operation. Even if air is admitted into the system for only a few minutes, you must purge the regulator and the system with UHP helium for at least 12 hours (or overnight) before the readings stabilize.***

The sample manifold system shown in Figure 3-2 allows you to switch the Series 1300 between zero or span calibrating gases and the plant gas streams quickly and efficiently without disconnecting the analyzer and introducing air in the system.

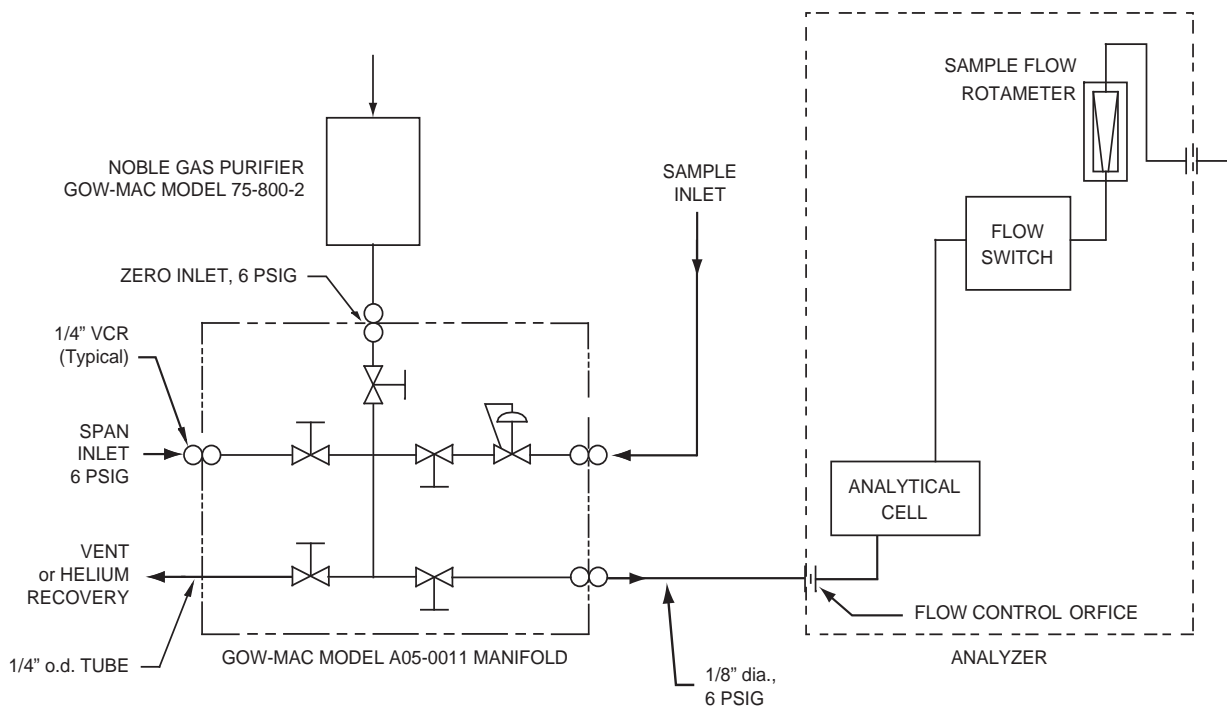


Figure 3-2: Typical Sample Manifold System for the Series 1300

---

The sample manifold system must be designed so that you can:

- Purge the sample line and pre-adjust the flow rate before admitting a sample to the analytical cell.
- Maintain a flow of helium through the analytical cell whenever ionization voltage is being applied.

Required or necessary items:

- Noble gas purifier is **REQUIRED** for the zero gas. Use GOW-MAC Model 75-800-2.
- Manifolds are available from GOW-MAC to select sample, zero, and span gases. Select from the GOW-MAC A05-0011 family of manifolds. **HIGHLY RECOMMENDED!**

### 3.6 Gas Line Connections



---

**Equipment damage may result if the analytical cell in this unit is exposed to excessive pressure, causing it to break or shatter. To prevent this, never exceed 10 psig on the analytical cell.**

**Do not remove the flow control orifice from the sample inlet of the analyzer.**

**Do not exceed 10 psig on the sample inlet. Do not block the vent.**

---

---



**NOTE**

***Refer to section 3.5 for detailed information on the sample manifold system.***

---

To connect the gas line:

1. Connect an unobstructed vent line to the 1/4-in (0.64-cm) Swagelok® Vent port on the rear of the analyzer.
2. Connect the inlet line from the sample manifold system, regulated to 10 psig, to the 1/4-in (0.64-cm) VCR® Input port on the rear of the analyzer.



---

### 3.7 Purging

A flow control orifice at the analyzer sample/zero inlet regulates flow and pressure to the analytical cell. With the orifice in place, a maximum inlet pressure of 10 psig is allowable.



---

**Ozone emissions are possible if air or moisture is ionized in the sampling system. The sample path must be relatively free of air and/or moisture before applying the ionizing voltage.**

---

**Keep Series 1300 power OFF until the analyzer is fully purged.**

---

When installing a new analyzer or starting up an analyzer that has been idle for a period of time, the sampling system should be purged for ***at least twelve hours*** (or overnight) with UHP helium to cleanse it of contaminants and water vapor.

Materials required:

**Purge gas:** UHP Helium (99.999% pure)  
**Purifier:** GOW-MAC Model 75-800-2 Noble Gas Purifier

#### 3.7.1 Purge Method

The exact purge method depends on the sample manifold design and construction. In general, each sample inlet line must be thoroughly purged. Sufficient purge time becomes critical when sample lines longer than 10 feet (3 m) are used.



NOTE

---

***Do not purge long lines through the analytical cell. First, purge them to vent. Then transfer flow to the analyzer cell as suggested in step 6, below. This eliminates the possibility of contaminating the analytical cell and having to purge for an extended period to reach equilibrium.***

---

The following procedure can be used with a GOW-MAC manifold Model A05-0011, sold separately and shown in Figure 3-2:

1. Close all valves on the sample manifold.
2. Open the SAMPLE INLET VALVE on the manifold.
3. Open the VENT VALVE on the manifold.
4. Control and monitor the flow of sample or purge helium at the VENT or HELIUM RECOVERY tube stub (refer to Figure 3-2) using a rotameter with valve (not shown).

- 
5. Purge to vent for a time period depending on the supply line length.
  6. If cylinder helium is used as a purge gas, reconnect the sample gas line to the sample manifold inlet.
  7. If necessary, purge the zero and span gas inlet lines to the manifold in a manner similar to Steps 2 - 5, above.
  8. After the sample line and the zero and span gas inlet lines have been purged, close the MANIFOLD VENT, open the MANIFOLD SAMPLE OUT VALVE, and purge the analyzer with the sample flow rotameter set at 0.5 scfh (refer to Table 2-1). Purge the analyzer for a minimum of 12 hours with purified zero helium.

### **3.8 Installation Checklist**

After installing the system, confirm that:

1. Each gas line was purged for at least 1 hour prior to connection to the analyzer inlet.
2. The sample gas connection to the sample inlet port is not leaking.
3. No leaks exist between the span gas cylinder and the analyzer gas inlet port when span gas is flowing to the analyzer.
4. No leaks exist between the zero gas source and the analyzer gas inlet port when zero gas is flowing to the analyzer.
5. The vent tube connection has no leaks, is at least 1/4-in (0.64-cm) OD, and has an unobstructed path to VENT or HELIUM RECOVERY except for an optional rotameter to monitor purge flows.

---

# 4 OPERATION



---

Operation of the Series 1300 involves potentially hazardous procedures. Only trained and qualified personnel who have read and who understand the instructions in this manual shall operate the Series 1300.

---



---

Never introduce gases other than helium into the analyzer. If explosive, flammable, or corrosive gases or gas mixtures are allowed to flow into the analyzer, fire or explosion can result.

---

This analyzer is not designed for use in hazardous areas.

---



---

Equipment damage may result if the analytical cell in this unit is exposed to excessive pressure, causing it to break or shatter. To prevent this, never exceed 10 psig on the analytical cell.

---

Do not remove the flow control orifice from the sample inlet of the analyzer.

---

Do not exceed 10 psig at the sample inlet. Do not block vent.

---



NOTE

---

*Maintain a 1.5 scfh (refer to Table 2-1) flow of zero gas through the analyzer when it is not in use (idle for more than 24 hours). This procedure is highly recommended in areas of high humidity. Take care to keep the inside of the instrument dry.*

---

---

## 4.1 Powering the Analyzer



---

**Ozone emissions are possible if air or moisture are ionized in the sampling system. The sample path must be relatively free of air and/or moisture before applying the ionizing voltage.**

---

**Keep the Series 1300 power OFF until the analyzer is fully purged.**

---

The Range switch on the front of the analyzer should be toggled to the desired measurement range prior to power-up and calibration.



NOTE

---

***When changing measurement ranges, recalibration is necessary.***

---

1. Purge the analyzer and sampling system as described in Chapter 3.
2. Turn on the analyzer by pushing the Power Switch to the ON position. The *POWER* light on the front panel will illuminate.
3. Sample flow is regulated by an orifice in the sample inlet connection. As the flow rate into the analyzer increases past ~0.5 scfh (refer to Table 2-1), the *ON-LINE* light illuminates. This indicates that the flow switch is operating correctly.



---

**Equipment damage may result if the analytical cell in this unit is exposed to excessive pressure, causing it to break or shatter.**

---

**Do not remove the flow control orifice from the sample inlet of the analyzer.**

---

4. Observe the digital panel meter, letting the instrument warm up until the readings stabilize. Drifting occurs until internal temperatures stabilize and the analytical cell is completely purged. A persistent drift indicates an improperly purged system or an air leak into the system. Refer to Chapter 5 for suggested corrective procedures.

## 4.2 Zero and Span Calibration

The Series 1300 is designed to provide a linear response over the 0-20/0-200, 0-10/0-100, or the 0-2/0-20 ppm concentration range for nitrogen in helium. Therefore, a two-point (zero and span) calibration is sufficient to define the calibration curve for this analyzer.

Prior to shipment, the analyzer was calibrated by GOW-MAC® in accordance with the calibration data shipped with your analyzer. Use these settings to verify that the unit is in calibration, or recalibrate the analyzer as outlined in this section.

---

#### 4.2.1 Before Calibration



---

***To minimize consumption of zero and span gases, careful attention to the purging of the analyzer, as described in Chapter 3, is critical.***

---

1. Ensure that the analyzer is fully purged and warmed up.
2. Check that the sample/zero gas flow rate is 2.0 scfh (refer to Table 2-1), as indicated on the front panel flowmeter. The *LOW FLOW* light should not be illuminated. Adjust sample flow with pressure regulation on the sample inlet, applying a maximum of 8-10 psig.

#### 4.2.2 Recommended Calibration Gases

Recommended zero and span calibration gases are specified in 2.2 Specifications.

The first calibration point is fixed by a zero gas. The GOW-MAC® Model 75-800-2 Noble Gas Purifier is required for this.

The second point is fixed by a certified span gas normally supplied in a high pressure cylinder.

#### 4.2.3 Calibration Steps

1. Select Range 1 or Range 2 using the Range Switch located on the instrument front panel.



---

***All zero, span, and sample gas should each be applied to the analyzer at the same flow rate, 2.0 scfh (refer to Table 2-1). Analyzer flow and pressure are controlled by a sample inlet orifice. Use the regulator at the sample, span, or zero gas source to adjust flow.***

---

2. Set the ZERO potentiometer to 2.00 and SPAN potentiometer to 8.00. (If zero and span settings from a previous calibration are known, these may be used in place of 2.00 and 8.00.)
3. Connect a DC milli-voltmeter across the test points on the rear panel Green Terminal Block.



---

***To preserve calibration accuracy, cylinder pressure for the calibration standard gases should not fall below 500 psig.***

---

- 
4. Flow span calibration gas to the analytical cell at a rate of 2.0 scfh. Refer to Table 2-1 for the sample flow rotameter setting.
  5. **For 0-200 ppm range:** Adjust the plate adjustment potentiometer on the rear panel to obtain a reading in mVDC equal to 0.7 times the span calibration gas in ppm (i.e., with a span gas of 180 ppm, the millivolt reading should be 126 mVDC).

**For 0-100 ppm range:** Adjust the plate adjustment potentiometer on the rear panel to obtain a reading in mVDC equal to 1.4 times the span calibration gas in ppm (i.e., with a span gas of 90.0 ppm, the millivolt reading should be 126 mVDC).

**For 0-20 ppm range:** Adjust the plate adjustment potentiometer on the rear panel to obtain a reading in mVDC equal to 7.0 times the span calibration gas in ppm (i.e., with a span gas of 18.0 ppm, the millivolt reading should be 126 mVDC).

**For 0-10 ppm range:** Adjust the plate adjustment potentiometer on the rear panel to obtain a reading in mVDC equal to 14.0 times the span calibration gas in ppm (i.e., with a span gas of 9.0 ppm, the millivolt reading should be 126 mVDC).

**For 0-2 ppm range:** Adjust the plate adjustment potentiometer on the rear panel to obtain a reading in mVDC equal to 70 times the span calibration gas in ppm (i.e., with a span gas of 1.8 ppm, the millivolt reading should be 126 mVDC).



NOTE

---

***This is an approximate reading. This initial setting is changed only when some major part of the analyzer is changed or the 1P28 phototube becomes weak with age. Then the plate adjustment control may require additional adjustment to keep the analyzer calibrated.***

---

6. With span gas flowing at a rate of 2.0 scfh (refer to Table 2-1), and the output stabilized, adjust the SPAN potentiometer to obtain a reading on the panel meter equal to the span gas in ppm nitrogen.
7. Stop span gas and start flowing zero calibration gas to the analytical cell at a rate of 2.0 scfh (refer to Table 2-1). Wait approximately 30 minutes for the digital panel meter reading to stabilize. Adjust the ZERO potentiometer to obtain a reading on the panel meter equal to the zero gas in ppm nitrogen.
8. Repeat steps 6 and 7 until stable zero and span readings are obtained without further adjustments.
9. When calibration is complete, close the span and zero inlet lines, and record the settings of the ZERO, SPAN, and the plate adjustment potentiometers on your equipment calibration log. A sample equipment calibration log is given in *Appendix A* in the back of this manual for your convenience. Subsequent calibrations modify these settings, and you may find that a record of the changes is useful when troubleshooting analyzer problems.

---

### 4.3 Reading and Recording Data



---

**The digital panel meter may indicate a negative value or display a constant “1” when high concentrations of nitrogen ( $\geq 0.5$  percent) are present. No matter what the digital display indicates, an overrange alarm indicates high concentrations of nitrogen ( $\geq 0.5$  percent) in the sample line.**

---

On completion of the zero and span calibrations, the Series 1300 is ready to begin taking readings on the sample gas.

1. Open the valve of the desired sample inlet line.
2. Adjust the flow rate to 2.0 scfh (refer to Table 2-1).
3. If desired, connect a recorder to the recorder output connector on the back panel.
4. To proceed with an analysis of another sample line, close the valve of the current sample line, open the valve of the new sample line, and adjust the flow rate to 2.0 scfh (refer to Table 2-1).

### 4.4 Overage Protection Circuit

The Overage Protection Circuit has two main parts: 1) a photodiode that provides a signal proportional to the total light intensity from the analytical cell and 2) an alarm that takes action if the photodiode signal falls below a threshold value.

The Overage Protection Circuit requires no adjustment other than the initial factory calibration. Even if the photodiode output shifts substantially, the Overage Protection Circuit operates properly. No routine maintenance to this circuit is required. However, a scheduled test of the circuit is recommended monthly.

#### 4.4.1 Functional Testing of the Overage Protection Circuit

To test the Overage Protection Circuit:

1. While the analyzer is running, flow sample gas with a concentration of 1000 ppm N<sub>2</sub> in helium.
2. The following events should take place:
  - The red overrange LED turns on and stays on.

If the above events do not occur, suspect a fault in the Overage Protection Circuit and contact GOW-MAC® at (610) 954-9000 for assistance.





# MAINTENANCE AND REPAIR



**Maintenance and repair of the Series 1300 involve potentially hazardous procedures. Only trained and qualified personnel who have read and who understand the instructions in this manual shall work on this equipment.**

Routine maintenance helps ensure continuing high performance and reduces malfunctions that could lead to analyzer downtime.

## 5.1 Routine Maintenance Schedule

- Perform a **routine** calibration of the analyzer at least once every one to two weeks. Keep a log of the percentage zero and percentage span deviation settings. This ensures not only that accuracy is maintained, but it may help in troubleshooting the analyzer if these settings vary widely at each calibration or vary consistently up or down scale. If the readings are stable from calibration to calibration, then the frequency of routine calibrations can be decreased accordingly.
- Check the sample and reference gas flow rates at least every one to two weeks. Use the rotameter on the front panel to check that the sample flow rate is approximately 2.0 scfh (refer to Table 2-1).
- Check for excessive accumulation of dirt. In dusty locations, you may need to wipe or gently blow off dust from the various sections at least once a week. Any accumulation of dust or oil film hinders satisfactory operation.
- On an annual basis, check the gas lines for signs of leaks.

Table 5-1 summarizes the recommended routine maintenance required for the Series 1300.

<b>Maintenance Task</b>	<b>Time Schedule</b>
Calibrate Series 1300-A, -B, -D	Every 1-2 weeks
Check sample and reference gas flow rates	Every 1-2 weeks
Check for excessive accumulation of dirt	1 time per week
Check gas lines for leaks	Yearly

---

## 5.2 Troubleshooting



- 
- **High voltage. Electrocutation hazard.**
  - **This analyzer must ONLY be serviced by a GOW-MAC technician.**
  - **NEVER operate the analyzer without the cover secured in place.**
  - **DO NOT tamper with or try to adjust the inner workings of the analyzer. Doing so will void any warranties and/or service contracts.**
  - **ALWAYS turn off power and disconnect the AC power cord before servicing.**
- 

Before consulting the troubleshooting guide in Table 5-2, ensure that the sample flow is constant and vent pressure is at atmospheric pressure.

Table 5-2 provides you with information on problems that may occur with the Series 1300. Also included are their probable causes and suggested remedies to the problem. Standard hand tools and a digital multimeter are the only equipment required for most procedures.



---

***If you cannot fix the problem using these guidelines, contact GOW-MAC® at (610) 954-9000 and be ready to give details regarding your installation, including the analyzer's serial number found on the identification plate located on the back panel.***

***The Series 1300 is manufactured in several models. Determine which model you have before proceeding. The model number is found on the serial number label located on the back of the instrument.***

---

**Table 5-2: Series 1300 Troubleshooting Guide**

<b><u>Problem</u></b>	<b><u>Probable Cause(s)</u></b>	<b><u>Remedies</u></b>
Loss of power (no lights or DPM)	Fuse or power cord not connected.	Connect power cord or replace fuse.
DPM display is off, fuse is OK, power connected	Defective DPM.	Check. Call GOW-MAC.
Functions erratically	Power interruption.	Check for proper line voltage.
	Gas not flowing through analyzer at correct rate.	Check that gas flows at 2.0 scfh (refer to Table 2-1). Check for flow obstructions or faulty low flow switch.
	Defective regulated power supply.	Call GOW-MAC.
DPM presents E's across the display	Loss of sample flow or flow too low.	Check that gas flows at 2.0 scfh (refer to Table 2-1). Check for flow obstructions or faulty low flow switch.
	Loss of ionization voltage from transformer.	Call GOW-MAC.
	Defective amplifier board.	Call GOW-MAC.
	Defective 255 Hz power supply board.	Call GOW-MAC.
Recorder off-scale (top or bottom)	Improper calibration.	Repeat calibration procedure.
	No voltage or improper voltage to analytical cell.	Call GOW-MAC.
	Defective 255 Hz power supply	Call GOW-MAC.
	Defective PMT.	Call GOW-MAC.
	Defective amplifier board.	Call GOW-MAC.
	Defective high-voltage PMT socket.	Call GOW-MAC.

---

<b><u>Problem</u></b>	<b><u>Probable Cause(s)</u></b>	<b><u>Remedies</u></b>
Recorder off-scale (top or bottom) - continued	Defective low-voltage DC power supply.	Call GOW-MAC.
	Sample line leakage, improper sampling, etc.	Check sample lines for leak. If a leak is found, re-purge sample lines.
	Defective ZERO or SPAN potentiometer.	Call GOW-MAC.
Recorder drift	Analyzer not warmed up.	If analyzer recently started up, wait for warm-up.
	Sample line leakage.	Check sample lines for leak. If a leak is found, re-purge sample lines.
	Analyzer or sampling system not fully purged.	Purge analyzer and sampling system <b><i>12 or more hours</i></b> or overnight.
	Flow not stable.	Check for flow obstructions or faulty low-flow switch.
	Weak signal.	Call GOW-MAC.
	Defective recorder.	Check recorder per supplier manual.
	Increase in pressure in analytical cell.	Check for obstructions in sample flow meter, low flow switch, or analyzer tubing (such as water in vent line). Re-purge the system if an obstruction is found.
Recorder oscillates and readings are erratic	Improper plate voltage on PMT.	Call GOW-MAC. Check calibration data supplied with analyzer.

---

---

<b><u>Problem</u></b>	<b><u>Probable Cause(s)</u></b>	<b><u>Remedies</u></b>
Recorder oscillates and readings are erratic - continued	External electrical interference.	Shield to avoid stray fields caused by large motors or transformers and power lines. Ground shields.
	Recorder gain too high.	Check recorder per supplier manual.
	Ionization voltage too high.	Call GOW-MAC.
	Defective PMT.	Call GOW-MAC.
No signal or signal is too weak.	Defective amplifier board.	Call GOW-MAC.
	Faulty Hamamatsu PMT socket.	Call GOW-MAC.
	Faulty amplifier board.	Call GOW-MAC.
	Faulty low-voltage DC power supply.	Call GOW-MAC.
	Open high-voltage transformer.	Call GOW-MAC.
	Faulty PMT.	Call GOW-MAC.
	Faulty analytical cell.	Call GOW-MAC.
	Dirty optical filter.	Call GOW-MAC.

## 5.3 Parts Replacement and Testing Guide

**DANGER**  
!

- 6000 Volts. Electrocution hazard.
- This analyzer must ONLY be serviced by a GOW-MAC technician.
- NEVER operate the analyzer without the cover secured in place.
- DO NOT tamper with or try to adjust the inner workings of the analyzer. Doing so will void any warranties and/or service contracts.
- ALWAYS turn off power and disconnect the AC power cord before servicing.

**NEVER** operate the analyzer without the cover secured in place. **ALWAYS** turn off power and disconnect AC power cord before servicing.

### 5.3.1 Voltage Selection and Fuse Changing

The Series 1300 Analyzer can be configured for either 110 or 230 VAC line voltage.

Figure 5-1 shows the Power Entry Module with its hinged cover open for access to the fuse cartridge. (A small screwdriver can be used to gently pry open the cover from the top of the assembly.)

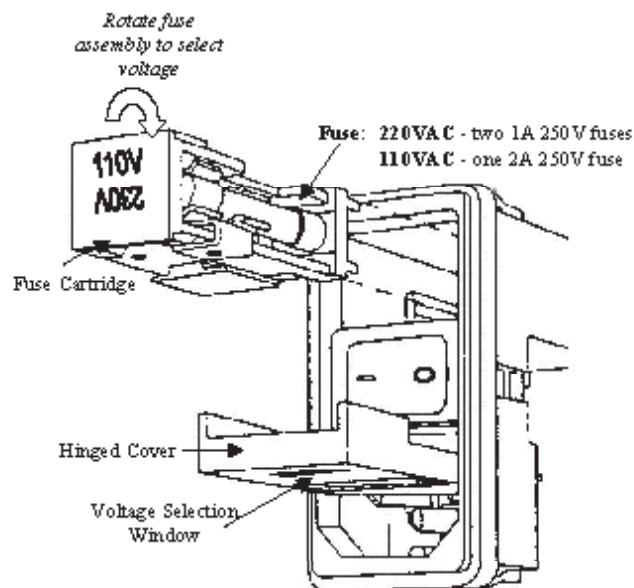


Figure 5-1: Power Entry Module

---

To change the selected line voltage, follow the steps outlined below while referring to Figure 5-1.

1. Ensure the AC power cord is disconnected from the unit. Then open the hinged cover to the power entry module as described above.
2. Remove the fuse assembly.
3. Check for the proper fuses [(1) 2 amp, “slow blow” 250 V fuse for 110 VAC; (2) 1 amp, “slow blow” 250 V fuses for 230 VAC] and replace if necessary.



---

**Excessive current through the analyzer can result in equipment damage. Be sure the proper fuse is in place for the selected voltage BEFORE supplying power to the analyzer.**

---

4. Turn the fuse assembly so that the selected voltage is right side up and shows through the voltage selection window of the power entry module.
5. Replace the fuse cartridge in the power entry module.
6. Close the power entry module hinged cover.
7. Check to see that the proper line voltage displays in the voltage selection window.

### 5.3.2 Low Flow Switch

To test the flow switch operation:

1. With the analyzer running, slowly decrease sample flow. As the flow falls below approximately 0.4 scfh (refer to Table 2-1), the Low Flow Switch should activate the relay to cut off the ionizing voltage from the transformer. When this happens, the front panel *LOW FLOW* light turns on and the *ON-LINE* light turns off..
2. Slowly increase the sample flow up toward the 1.5 scfh (refer to Table 2-1) analyzer flow rate. As the flow increases above approximately 0.5 scfh (refer to Table 2-1), the switch should activate the control relay to apply ionizing voltage to the analytical cell. When this happens:
  - The control relay switch activates.
  - The front panel *LOW FLOW* light turns off.
  - The *ON-LINE* light turns on.

- 
3. If the events listed in steps 1 and 2 do not take place, either the low flow switch or the control relay is not functioning properly. Call GOW-MAC.

### 5.3.3 High Voltage Plate Adjustment

If the plate voltage to the PMT is too high, a non-linearity problem is experienced where gases in the midrange of the analyzer read higher than normal. If the plate voltage to the PMT is too low, the analyzer runs out of span adjustment on the front panel controls. For this reason, the plate voltage to the PMT is critical.

Each new analyzer is tested with a range of gases to determine the optimum high plate voltage for the PMT. This voltage is adjustable through the potentiometer, labeled 1P28 Plate Adjust on the rear panel of the analyzer. Adjust this voltage very carefully to eliminate non-linearity problems. It is normally only adjusted if you run out of span or zero adjustment on the front panel controls.

The regulated 255 Hz power supply output is set at  $85 \pm 5$  VAC at the time of installation. Check this by measuring the voltage at the test point panel across the blue 90 VAC test jacks.

## 5.4 Service

**NO ATTEMPT** should be made to affect repairs to the Series 1300.

Call our Repair Department at (610) 954-9000 to receive estimate for repair, as well as an RMA number to send the instrument back to us.

Display the RMA number on your shipping label to insure prompt attention upon arrival at GOW-MAC.

GOW-MAC Instrument Co.  
Attn: Repair Dept, RMA# \_\_\_\_\_  
277 Brodhead Road  
Bethlehem, PA 18017-8600

Please include a contact person, phone number, service required and a P.O. number. We are also able to furnish an estimate prior to repairs if this is required.



---

## Series 1300-B Trace Nitrogen in He Analyzer (4-20 mA Scaling)

1. Unlock Display
  - A. Press "PAR" key on display 2 times until "CODE" is displayed.
  - B. Press "Down Arrow" key on display until "233" is displayed.
  - C. Press "PAR" until "Pro" and "NO" alternate on display.
  
2. Change the 4-20 mA "Output" channel and scaling. (Module 8).
  - A. Press "Down Arrow" key on display until "8-out" is displayed.
  - B. Press "PAR" key on display until "Type 4-20" is displayed.
  - C. Press "PAR" key on display until "AS IN" is displayed.
  - D. Select Channel : Use "Up /Down Arrow" keys to select between:
    1. "A-rel" for Range 1 (0-20 ppm) .
    2. "b-rel" for Range 2 (0-200 ppm).

**\*Note - The only 2 valid selections in this menu are "A-rel" or "b-rel".**

  - E. Press "PAR" key to advance to 4-20 mA assignments.
    1. For Range 1 (0-20ppm): Select the 4-20 mA output scaling
      - a. Assign 4 mA point: Select "AN -Lo" , enter "0.00" , press "PAR" key.
      - b. Assign 20 mA point: Select "AN -Hi" , enter "20.00" , press "PAR" key.
    2. For Range 2 (0-200ppm): Select the 4-20 mA output scaling
      - a. Assign 4 mA point: Select "AN -Lo" , enter "0.00" , press "PAR" key.
      - b. Assign 20 mA point: Select "AN -Hi" , enter "200.00" , press "PAR" key.
  
3. Exit Module 8 and programming menu.
  - A. Press "PAR" key until "Pro no" is displayed.
  - B. Press "PAR" key until "udt" is displayed.
  - C. Press "PAR" key again to "END". Return to normal operation.



# Appendix A — Sample Equipment Calibration Log Form

## EQUIPMENT CALIBRATION LOG

Manufacturer: _____		Model No. _____		Serial No. _____		
Plant/Loc: _____		Tag No. _____				
Accuracy Requirements: _____ % Engineering Units: _____						
Range: 0%: _____ 100%: _____		Output Units: _____		Calibration Frequency: _____		
Output: 0%: _____ 100%: _____						
Date M/D/Y	As Left		Calibration Std/Test Equipment (Std/Ser #)	Checked Calib by (signature)	Passed Calibration	Comments
	Zero	Span				



# Health and Safety Declaration for the Return of GOW-MAC Instrument Co. Equipment

In order to protect our employees from exposure to various hazards, the following statements and/or questions **MUST** be answered by you. Fill out this document in its entirety and either fax or e-mail it to GOW-MAC Instrument Co., Attn: Repair Dept, **BEFORE** returning the product.

The instrument/device/part being returned **will not** be accepted into GOW-MAC's facility until we receive this completed document. Once the product has been approved for return by our Chemical Safety Officer, an acknowledgement will be promptly issued to you with notification of your **Return Materials Authorization (RMA) number** and the procedure to follow for returning the product. *All applicable regulations should be followed when returning instrumentation, devices, and or parts.*

**Customer to Record the Following:**

Model # / Part #: \_\_\_\_\_

Serial #: \_\_\_\_\_

Service Technician spoken to: \_\_\_\_\_

Today's Date: \_\_\_\_\_

**If this form is not approved by our chemical safety officer, the instrument/device/part WILL NOT be permitted into our facility for servicing!**

A) Briefly list the application(s) for which the instrument/device/part was used, as well as any and all chemicals, gases, and/or materials analyzed and their concentrations. (**MUST be filled in**): \_\_\_\_\_

B) Is there the possibility of internal or external contamination on or in this instrument/device/part?  
 Yes – see below     No – proceed to C.

*Please check the appropriate box.*

- Chemicals or Substances That Are Hazardous to Health
- Blood, Body Fluids, (e.g. Urine, Secretions), Pathological Specimens
- Regulated Medical Wastes
- Infectious Substances or other Bio-Agents (e.g. Protein, Enzymes, Antibodies)
- Radioactive Isotopes used in the area. Detail type (ECD, Isotopic Labels, etc) and Activity in Micro Curies
- Biodegradable Material That Could Become Hazardous
- Other Hazards \_\_\_\_\_

**If any of the above boxes are checked the following statements and/or questions must be answered.**

1. Specifically describe where (on or in) the instrument/device/part there could be any residual contamination (for example: blood spill on the surface). \_\_\_\_\_
2. Provide details of these hazards. Include names, Material Safety Data Sheets (MSDS), and concentration of contaminants, where possible. \_\_\_\_\_
3. Describe the method of decontamination used. Attach Procedure. \_\_\_\_\_

C) I declare that the above information is true and complete to the best of my knowledge. I acknowledge that any inconsistencies between the condition of the instrument and the statements made on this form will delay the repair process.

Authorized signature \_\_\_\_\_ Date: \_\_\_\_\_  
Name (Printed) \_\_\_\_\_ Phone number: \_\_\_\_\_  
Company name: \_\_\_\_\_ Fax number: \_\_\_\_\_  
Shipping address: \_\_\_\_\_  
City: \_\_\_\_\_ State/Country: \_\_\_\_\_ Zip : \_\_\_\_\_  
E-mail address: \_\_\_\_\_

**BEFORE** item can be shipped, fax completed form to: (610) 954-0599 or e-mail it to: [repairs@gow-mac.com](mailto:repairs@gow-mac.com)

<b>For GOW-MAC Use Only:</b>	Signed: _____	Date ____/____/____
<input type="checkbox"/> <b>Passed</b> Safety Inspection. <b>OK</b> to proceed to Repair Dept.	Chem. Safety Off. _____	Comments: ( ) None
<input type="checkbox"/> <b>Failed</b> Safety Inspection. <b>DO NOT</b> proceed to Repair Dept.	RMA No: _____	( ) On Back >>>>



